

SY75C

PRODUCT SPECIFICATIONS



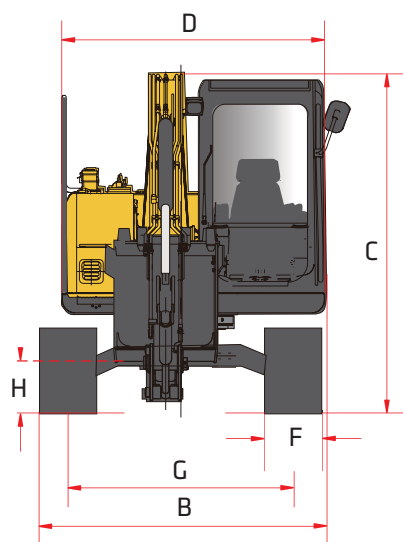
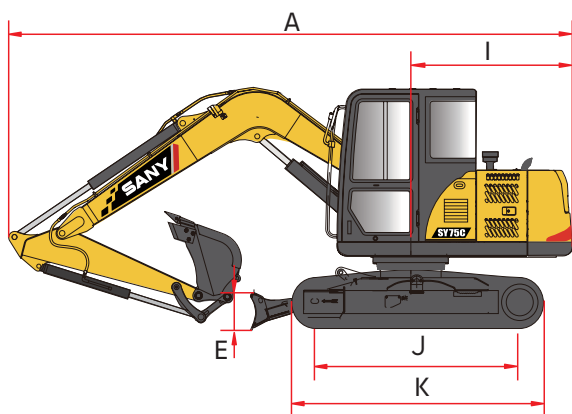
STANDARD FEATURES

- Powered by a reliable, efficient Yanmar Stage engine
- Equipped with joystick controlled, proportional, bi-directional auxiliary hydraulics
- Extra reinforcements in the boom, arm, swing platform and undercarriage increase stability and service life

- ➔ **Gross Power**
42.4 kW
- ➔ **Dig Depth**
4450 mm
- ➔ **Operating Weight**
7280 kg
- ➔ **Bucket Breakout**
53.0 kN

SY75C || PRODUCT SPECIFICATIONS

DIMENSIONS



DIMENSIONS

Boom Length	3720 mm	12' 2"
Stick (Arm) Length	2050 mm	6' 9"
A Transport Length	6125 mm	20' 1"
B Transport Width	2220 mm	7' 3"
C Transport Height	2720 mm	8' 11"
D Upper Structure Width	2040 mm	6' 8"
E Blade Height	405 mm	16"
F Track Width (standard shoe)	450 mm	18"
G Track Gauge	1750 mm	5' 9"
H Ground Clearance (minimum)	380 mm	15"
I Tail Swing Radius	1800 mm	5' 11"
J Track Length on Ground	2195 mm	7' 2"
K Track Length	2820 mm	9' 3"

Powered by a
reliable, efficient
Yanmar Stage engine

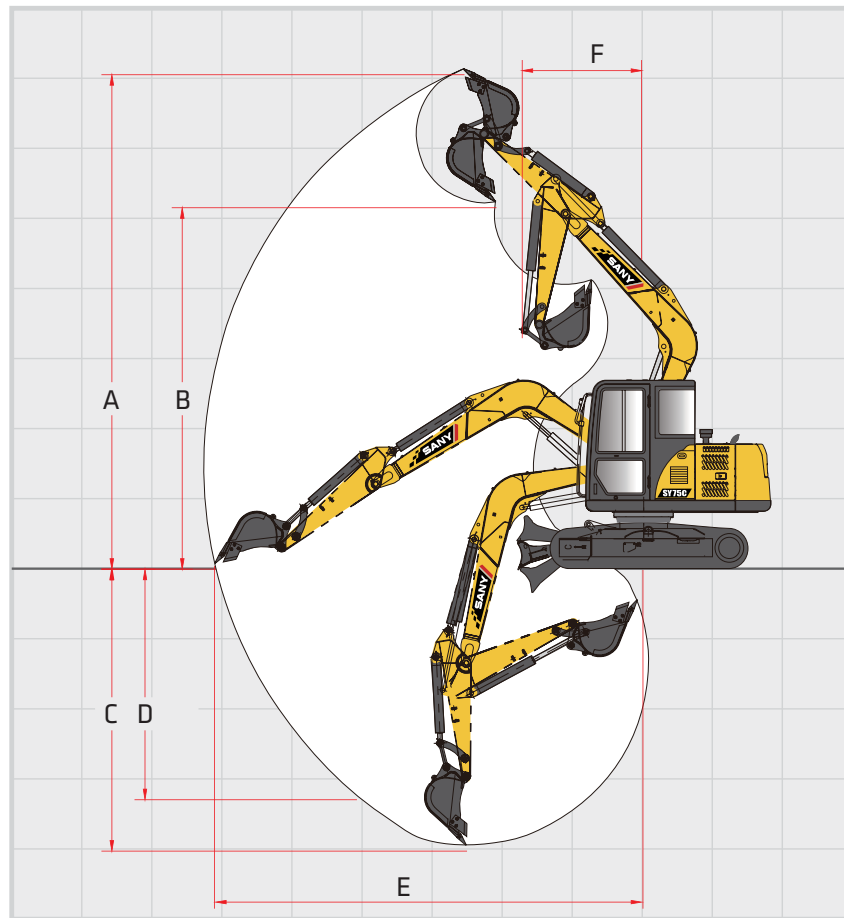
TECHNICAL SPECIFICATIONS

Operating Weight	7280 kg	16,050 lb
Ground Pressure	33.0 kPa	4.8 psi
Engine	Yanmar 4TN98C	
Displacement	3.32 L	
Gross Power	42.4 kW	
Hydraulics	Load Sensing with Pilot Control	
Main Hydraulic Pump	Axial Piston - Variable Displacement	
Operating Flow (maximum)	149.0 L/min	39.4 gal/min
Operating Pressure (maximum)	26.3 MPa	3814 psi
Travel Motor	Axial Piston with Park Brake	
Travel Pressure (maximum)	26.3 MPa	3814 psi
Travel Speeds (maximum)	2.8 / 5.3 km/hr	1.7 / 3.3 mph
Travel Effort (maximum)	56.8 kN	12,769 lbf
Grade Capability (maximum)	35°	
Swing Motor	Axial Piston with Swing Brake	
Swing Pressure (maximum)	21.6 MPa	3133 psi
Swing Speed (maximum)	10.5 RPM	
Undercarriage (standard)	Belted Rubber Track	
Track Shoe width (standard)	450 mm	18"
Track Rollers (per side)	5	
Carrier Rollers (per side)	1	

SERVICE REFILL CAPACITIES

Fuel Tank Capacity	150.0 L	39.6 gal
Hydraulic Tank Capacity	120.0 L	31.7 gal
Engine Oil Capacity	10.0 L	2.6 gal
Cooling System Capacity	10.8 L	2.9 gal

WORKING RANGE



WORKING RANGE

Boom Length	3720 mm	12' 2"
Stick (Arm) Length	2050 mm	6' 9"
A Maximum Digging Height	7390 mm	24' 3"
B Maximum Dumping Height	5490 mm	18' 0"
C Maximum Digging Depth	4450 mm	14' 7"
D Maximum Vertical Wall Digging Depth	3840 mm	12' 7"
E Maximum Reach at Ground Level	6505 mm	21' 4"
F Minimum Swing Radius	1940 mm	6' 4"

DIGGING PERFORMANCE

Boom Length	3720 mm	12' 2"
Stick (Arm) Length	2050 mm	6' 9"
Bucket Breakout Force (ISO)	53.0 kN	
Stick (Arm) Digging Force (ISO)	35 kN	